

SKYFLO SUBMERSIBLE DRAINAGE PUMPS



SKYFLO DRAINAGE PUMP	<p>OPEN IMPELLER</p>	60 Hz
HYDRO SERIES		2 POLE
40T - 50T		

.....MADE IN ITALY

Pump	Pump housing	Cast Iron- EN200 with rubber coating
	Wear Plates	Cast Iron- EN200 with rubber coating
	Motor Housing	Cast Iron- EN200
	Impeller	High Chrome Cast Iron
	Mechanical Seal Motor Side	Ceramic /Graphite
	Mechanical Seal Impeller Side	Silicon Carbide
	Motor Shaft	Stainless Steel AISI304
	Cooling Jacket	Cast Iron
	Bolts and Nuts	Stainless Steel Grade A2
	Passage	6mm
	Min Immersion Depth	200mm

Motor	Type	Electric motor is asynchronous with squirrel cage rotor in dry chamber
	Insulation	Class F
	Protection	IP-68
	Speed	2P
	Frequency	60Hz
	Main to Rated Voltage	400V +/- 10%
	Security	Inner control of the thermal probes in the winding control, sequence and lack of phase.
	Cable	10m x 4G6mm2 Type- H07RN-F
	Max Starts /hr	10

Specifications

Impeller

- High chromium alloy steel (HCR)
- High wear resistance
- Dynamic digital balance test
- Semi-open impeller

* We reserve the right to amend specification without prior notice.

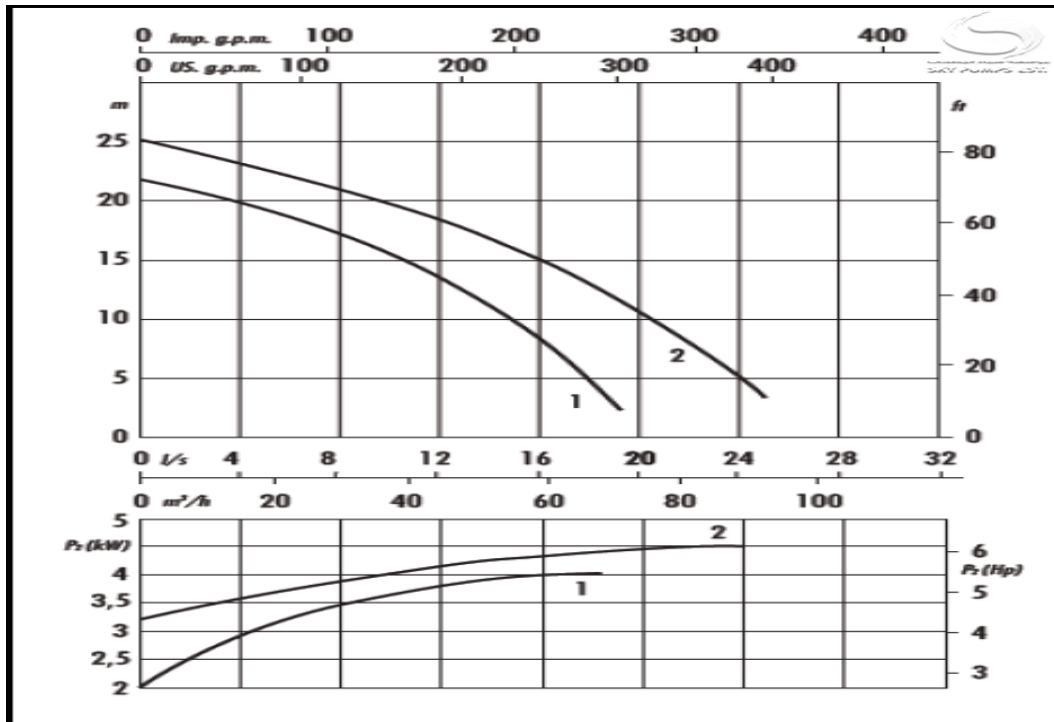
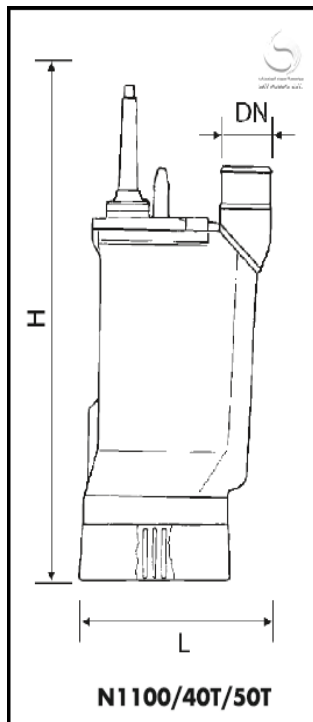
Performance Curves

60HZ

1 = 40T

2 = 50T

Performance tolerance in according to UNI/ISO 9906 Grade 2



Dimensions & Weight

DESCRIPTION	1: MODEL-40T	2: MODEL- 50T
H	590mm	590mm
L	270mm	270mm
DN	2.5"	3"
Kg	35	40
KW	4	4.7
HP	5.4	6.4
RPM	3500	3500
Cable	30m	30m

.....MADE IN ITALY

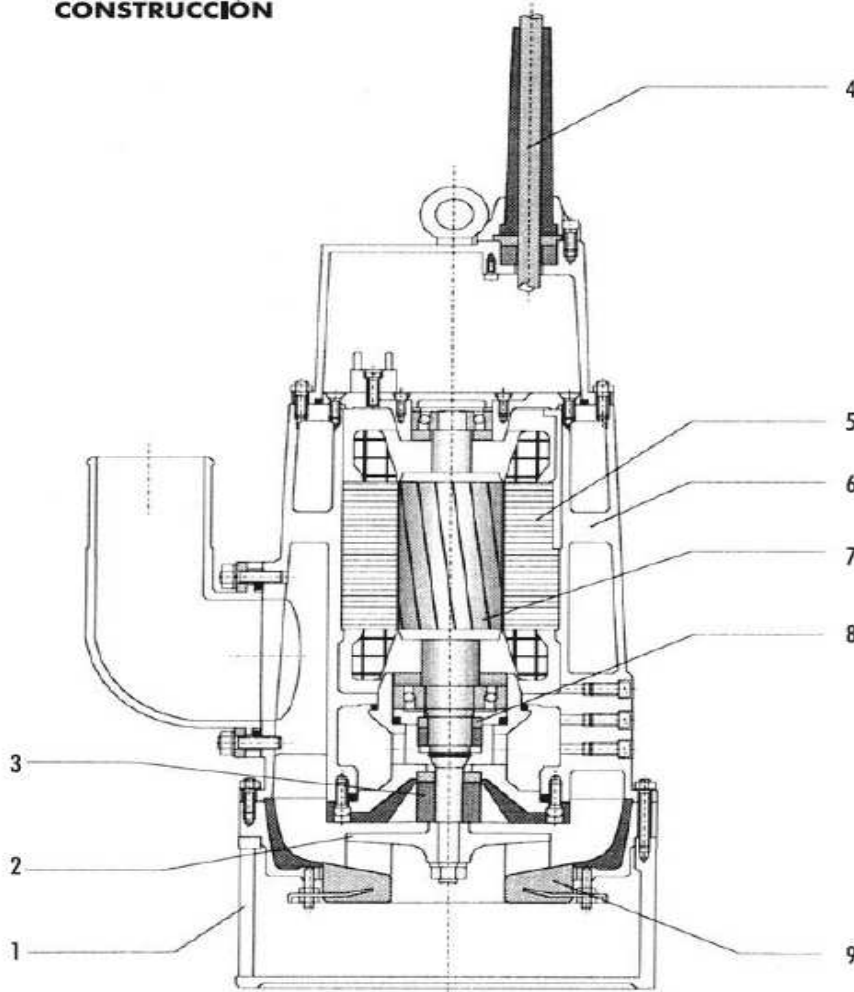
* We reserve the right to amend specification without prior notice.

**COSTRUZIONE
AUFBAU
CONSTRUCTION
CONSTRUCTION
CONSTRUCCIÓN**

**NOMENCLATURA
VERZEICHNIS
PARTS
NOMENCLATURE
NOMENCLATURA**



1. Filtro/Sieb/Strainer/Crépine/Rejilla
2. Girante/Laufrad/Impeller/Roue/Rodete
3. Tenuta meccanica lato pompa/Intere Gleitringdichtung/Mechanical seal impeller side/Garniture mécanique côté roue/Cierre mecánico
4. Cavo/Kabel/Cable/Câble/Cable
5. Statore/Stator/Stator/Stateur/Estator
6. Corpo pompa/Pumpengehäuse/Motor casing/Corps de la pompe/Carcasa motor
7. Albero con rotore/Welle mit Läufer/Shaft with rotor/Arbre avec rotor/Eje y rotor
8. Tenuta meccanica lato motore Obere Gleitringdichtung/Mechanical seal motor side/Garniture mécanique côté moteur/Cierre mecánico
9. Piastra di usura/Verschleißplatte/Wear plate/Plaque d'usure/Placa de desgaste



**ESEMPLIFICAZIONE SIGLA/ERKENNUNGSZEICHEN/
PUMP CODING/IDENTIFICATION DU SIGLE/ IDENTIFICACIÓN DE LA SIGLA**

HYDRO = Pompa per drenaggio/Schmutzwasserpumpe/
Drainage pump/Pompe de drainage/Bomba para drenaje

2400 = Codice identificativo/Motor kennzeichen/
Motor construction code/Code de construction du moteur/
Codigo de construcción

BP/AP = Tipologia idraulica/Hydraulische Typologie/Hydraulic
design/Typologie hydraulique/Tipologia hidráulica

M = Monofase/Wechselstrom/Single phase/
Monophasé/Monofásica

T = Trifase/Drehstrom/Three phase/Triphasé/Trifásica

.....MADE IN ITALY

* We reserve the right to amend specification without prior notice.

Applications



Underground construction de-watering



Bridge construction de-watering



Cement factory



Cement factory



Waste water treatment plant



Waste water treatment plant



Sewage treatment



Harbour construction



Chemical factory



Industrial waste water

* We reserve the right to amend specification without prior notice.